

INSTRUCTION REF: IN262
ISSUE No. 1
DATE 08.03.17
Page 1 of 15

INSTRUCTIONS

MODEL: MWBT

SAFETY INSTRUCTIONS

INSTALLATION INSTRUCTIONS

OPERATION INSTRUCTIONS

MAINTENANCE INSTRUCTIONS

WIRING DIAGRAM

EXPLODED VIEW / PARTS LIST

WARRANTY INFORMATION

DISPOSAL INFORMATION

Customer Information

MODEL NUMBER: _____
SERIAL NUMBER: _____
PURCHASE DATE: _____
DISTRIBUTOR: _____

INSTRUCTION REF: IN262
ISSUE No. 1
DATE 08.03.17
Page 2 of 15

SAFETY INSTRUCTIONS

IMPORTANT: PLEASE READ INSTRUCTIONS FULLY BEFORE USE

Please be aware that surfaces on this machine may get very hot during, and after use.

ALL APPLIANCES OTHER THAN THOSE FITTED WITH A SEALED MOULDED PLUG MUST BE FITTED BY A QUALIFIED ELECTRICIAN, IN ACCORDANCE WITH CURRENT REGULATIONS.

The unit should be installed in compliance with the INSTALLATION INSTRUCTIONS and the NATIONAL REGULATIONS in force at the time. Particular attention should be paid to the Health and Safety at Work Act.

To prevent shocks, all appliances whether gas or electric, must be earthed.

To avoid scratching the highly polished exterior surface of this equipment whilst in transit, the protective film on the exterior surfaces has NOT been removed.

It is IMPORTANT that this protective film is peeled off before the equipment is used.

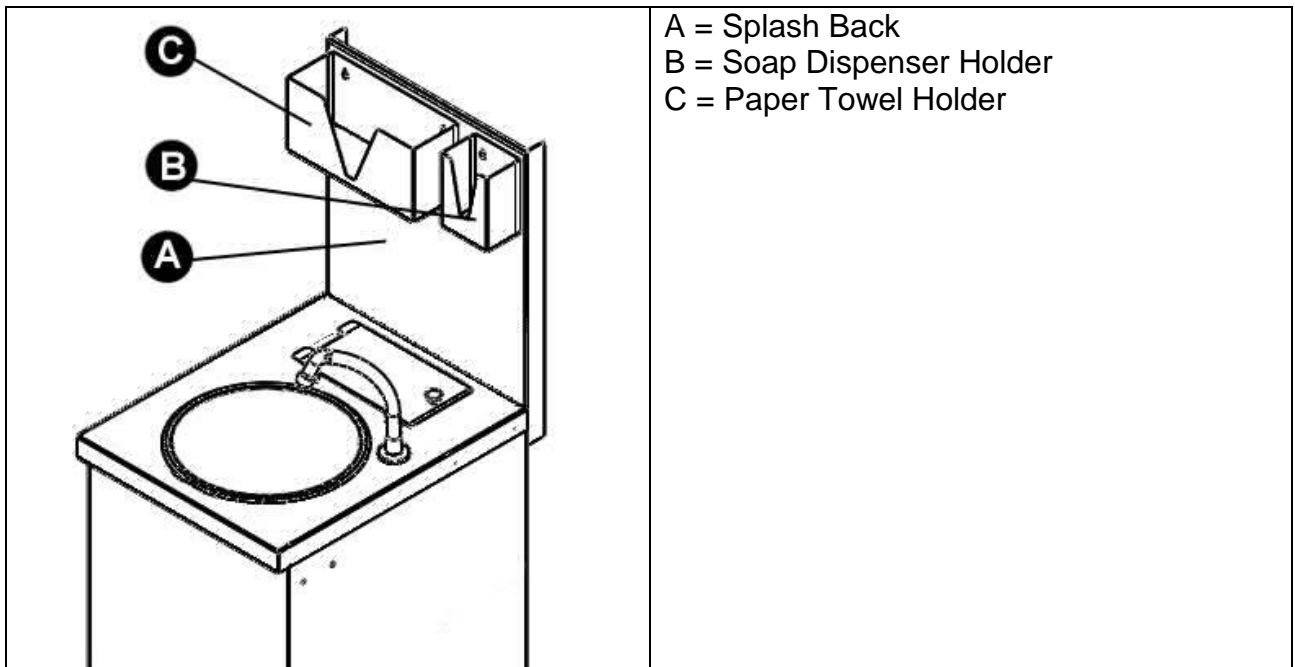
ENSURE THE APPLIANCE IS ISOLATED FROM THE POWER SUPPLY BEFORE INSTALLING, CLEANING OR MAINTAINING THE APPLIANCE

INSTRUCTION REF: IN262
ISSUE No. 1
DATE 08.03.17
Page 3 of 15

INSTALLATION INSTRUCTIONS

- This unit is supplied with a moulded plug

(Optional Extras)



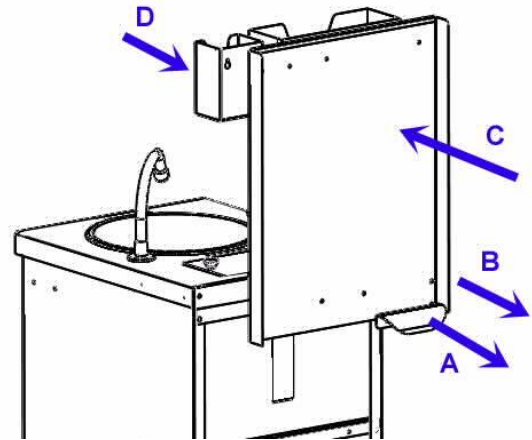
INSTRUCTION REF: IN262
ISSUE No. 1
DATE 08.03.17
Page 4 of 15

Optional Extra Fitting Instructions

- Remove screws from handle (A).
- Remove both screws from each side (B).
- Place the splashback (C) on to unit and replace screws from (B)

Fitting Soap / Towel holders

- Loosen screws (D) in splashback.
- Locate Soap holder / Towel holder on to the screws and tighten.

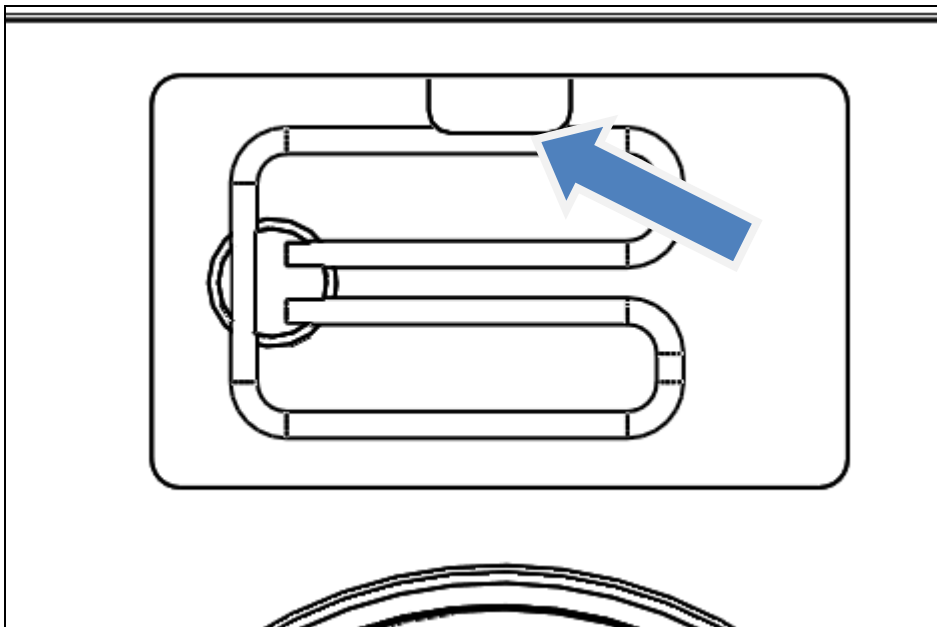


OPERATION INSTRUCTIONS

Position mobile wash basin in desired location.

Remove water tank cover by turning the knob to gain access to water tank. Fill with water to maximum water level tab, as shown in image below

INSTRUCTION REF: IN262
ISSUE No. 1
DATE 08.03.17
Page 5 of 15



Ensure waste bucket is in position and the waste pipe is placed inside the bucket.

Plug into suitable 13amp protected supply.

Ensure switch is in the on position and the red neon illuminated. (Shown in image below)

Allow 20mins for the water to reach temperature before use.

To fill basin with water use the foot pump at the front of the machine.

Unit is protected from overheating by a control stat. If the tank has an insufficient amount of water in it, a pressure switch will cut electricity supply to the element preventing boiling dry, and damage to the element.

INSTRUCTION REF: IN262

ISSUE No. 1

DATE 08.03.17

Page 6 of 15

Before moving unit to new location make sure water tank is emptied by tap located on the bottom of the tank as shown in the photo.

Do not attempt to move unit when full of water.

Please note that the waste bucket should be emptied regularly.

IMPORTANT NOTE

After service all water must be drain from the tank.

Disconnect form mains power supply.

Place the bucket below the drain tap. Turn tap and empty the tank.

INSTRUCTION REF: IN262
ISSUE No. 1
DATE 08.03.17
Page 7 of 15

MAINTENANCE INSTRUCTIONS

Servicing

This appliance should be routinely serviced to prolong its lifetime. Parry recommends that the appliance is serviced every 12 months by a Parry authorised engineer. Failure to service your product within the initial 12 month warranty period will cause the 24 month warranty to become void.

MAINTENANCE AND SERVICE MUST ONLY BE UNDERTAKEN BY A QUALIFIED ELECTRICIAN.

Care and Cleaning

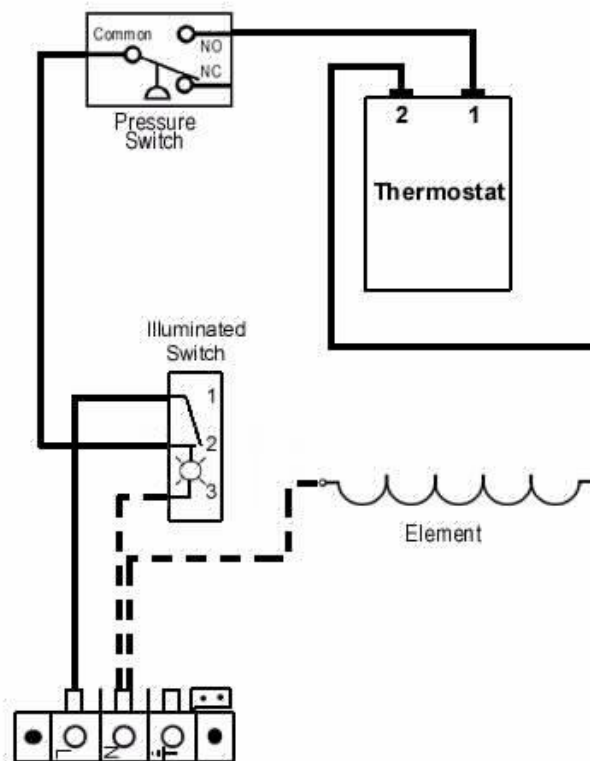
IMPORTANT NOTE

Turn off the mains switch before commencing any of the below.

Proprietary cleaners must be used with care – they are highly corrosive and may cause damage to surfaces and components.
To clean unit wipe down with warm soapy water.
DO NOT USE SCOURING PADS.

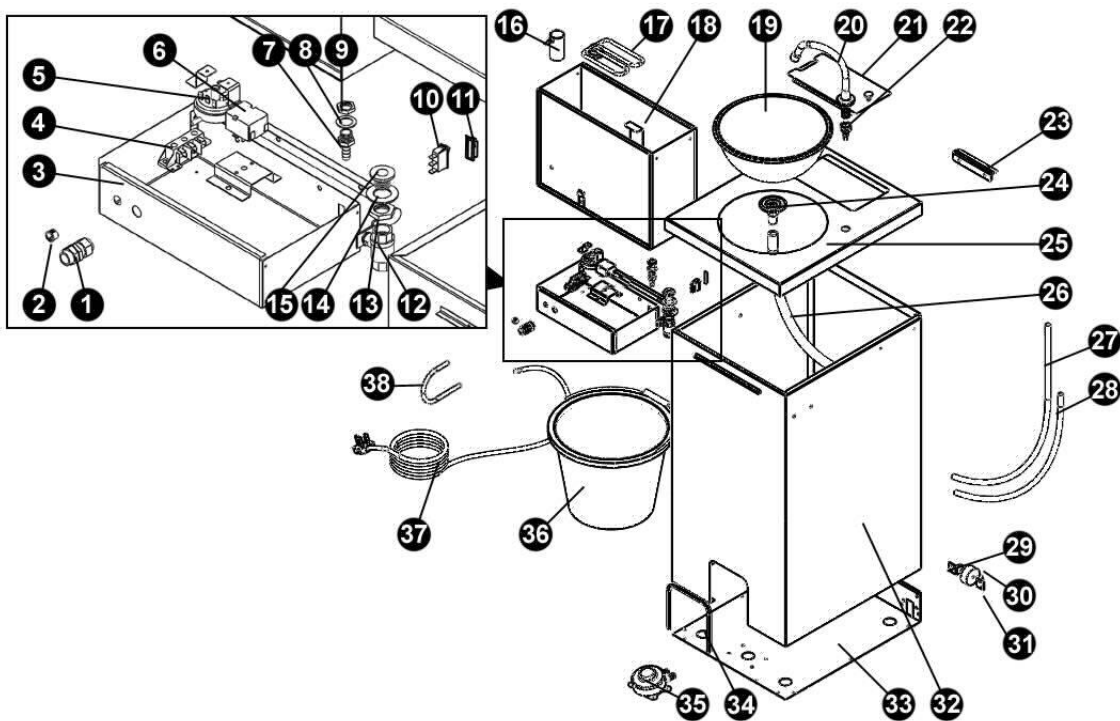
INSTRUCTION REF: IN262
ISSUE No. 1
DATE 08.03.17
Page 8 of 15

WIRING DIAGRAM



INSTRUCTION REF: IN262
 ISSUE No. 1
 DATE 08.03.17
 Page 9 of 15

EXPLODED VIEW
(MWBT SHOWN BELOW)



PARTS LIST

ID	DESCRIPTION	PART CODE
1	M16 Gland & Nut	GLAND0M16 LOCKNTM16
2	Plastic Bush	BUPL50006
3	*Gear Tray	*NO CODE
4	Terminal Block	TB3POLETB
5	Pressure Switch	10706/A
6	Thermostat	MWB44CSTAT
7	Barbed Tail	MWBBSPTAIL
8	Sealing Washer (x2)	MWBSEALWASH
9	Brass Lock Nut	MWBLOCKNUT

INSTRUCTION REF: IN262

ISSUE No. 1

DATE 08.03.17

Page 10 of 15

10	Switch	SWRE06165
11	Switch Cover	LE25COVER
12	Ball Valve	VALVEB12N
13	Nut for Bowl Insert	NUT4BOWLSSS
14	Washer for Bowl Insert	WASS14022
15	Bowl Insert	BOWLINSSL
16	*Air Tray Assembly	*NO CODE
17	Element	ELBW03000
18	*Tank Assembly	*NO CODE
19	Bowl	MWBBOWL
20	Swivel Tap	MWBSWTAPS
21	*Lid	*NO CODE
22	Tap Adaptor & O Ring	MWBTAPFITT MWBORING
23	Pull Handle	P6BOHANDL
24	Waste Fitting	MWBWASTE
25	*Top	*NO CODE
26	Waste Tube (630mm Length)	MWB24TUBE
27	½" Tube (1060mm Length)	MWB1/2TUBE
28	½" Tube (770mm Length)	MWB1/2TUBE
29	Wheel Bracket (RH)	MWBWHBRKT
30	Castor Wheel	MWBWHEEL
31	Wheel Bracket (LH)	MWBWHBRKT
32	*Body	*NO CODE
33	*Base	*NO CODE
34	Trim (440mm Length)	CARTBLACKTRIM
35	Foot Pump	MWBFOOTPUMP
36	Waste Bucket	MWBUCKET
37	Mains Lead	MLEAD25
38	Vacuum Tube	MWBVACTUBE
	Loom	W1 (x2) W2 (x2) W17 (x2)

INSTRUCTION REF: IN262
ISSUE No. 1
DATE 08.03.17
Page 11 of 15

WARRANTY INFORMATION

Warranty Policy

- The manufacturer's warranty is only valid in the UK mainland. Northern Ireland, Western Isles, Inner Hebrides and Islands are parts only warranty.
- All service calls will be carried out between the hours of 8.00am – 5.00pm Monday to Friday only.
- We accept no responsibility for delays in replacing or repairing the equipment due to circumstances beyond our control.
- Your warranty can be immediately invalid if the installation of the equipment has not been carried out in accordance with the manufacturer's instructions. (See installation details). Also the misuse, alteration or unauthorised repairs of the equipment will invalidate the warranty.
- During the warranty period it is at Parry's discretion to repair or replace the equipment.
- Warranty only applies if the equipment has been used in a professional manner following the manufacturer's instructions and maintenance guide lines.
- The warranty covers defects in the material and component failure only. We are not liable for trading loss, loss of perishable items, water damage, loss due to injury or fire damage.
- Please be aware that the warranty starts from the date of purchase from Parry and not the sale or installation date of the equipment.

INSTRUCTION REF: IN262
ISSUE No. 1
DATE 08.03.17
Page 12 of 15

Warranty Request

- Please ensure you have referred to the manufacturers' instructions before placing a warranty call. Or contact our warranty department on 01332 875665 for technical assistance, ensure you obtain the model number before calling.
- Please ensure you have read the section not covered under warranty to avoid any unnecessary warranty charges.
- It is vital that all warranty requests be submitted to Parry via email to warranty@parry.co.uk
- It is at the discretion of PARRY whether to honour a service call which is out of the warranty period.

Not Covered Under Warranty

- Fault due to poor maintenance.
- Resetting of equipment or circuit breakers.
- Abuse of the equipment
- Foil should never be used on racks
- Blockages e.g., drains, condensers, pumps etc.
- Lime scale related issues
- Installed incorrectly
- Access arranged for service call and engineer refused access or customer not there.
- No faults with the machine.

INSTRUCTION REF: IN262

ISSUE No. 1

DATE 08.03.17

Page 13 of 15

- Setting up of equipment e.g., dishwasher detergents, levelling and setting up of doors on a 6 burner cooker.
- Excessive carbon build up on griddle plates.
- Over use of lava rock on the chargrills. Parry recommends maximum of 2kg.
- Faulty electrics – e.g., customers plug socket, plug, wiring, junction box fault, wrong fuse.
- Any damages caused by the customer.
- Lamps, glass, door gaskets, Perspex, baskets, knobs all perishable items are not covered.

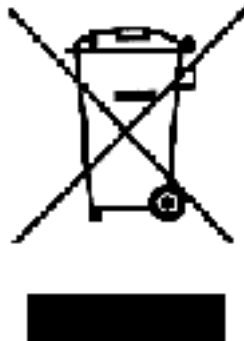
This appliance should be routinely serviced to prolong its lifetime. Parry recommends that the appliance is serviced every 12 months by a Parry authorised engineer. Failure to service your product within the initial 12 month warranty period will cause the 24 month warranty to become void.

INSTRUCTION REF: IN262
ISSUE No. 1
DATE 08.03.17
Page 14 of 15

Disposal Information

This appliance is marked according to the European Directive 2002/96/EC on Waste Electrical and Electronic Equipment (WEEE).

By ensuring this product is disposed of correctly, you will help prevent potential negative consequences for the environment and human health which could otherwise be caused by inappropriate waste handling of this product.



A symbol on the product, or on the documents accompanying the product, indicates that this appliance may not be treated as household waste. Instead it should be handed over to the applicable collection point for the recycling of electrical and electronic equipment.

Disposal must be carried out in accordance with local environmental regulations for waste disposal.

For more detailed information about treatment, recovery and recycling of this product, please contact your local city office, your household waste disposal service or the shop where you purchased the product.

INSTRUCTION REF: IN262
ISSUE No. 1
DATE 08.03.17
Page 15 of 15

Parry Catering recognises our obligations to the EU DIRECTIVE covering the waste disposal of electrical and electronic equipment (WEEE) Parry Catering are committed to this policy in order to help conserve the environment.

At the end of this units life you **MUST** dispose of it in an approved manner. You **MUST** not discard the unit or place it in the refuse bin.

You have several options:

- a) Take the unit to an approved WEEE scheme company, there will be one in your area.
- b) Take the unit to an approved waste disposal site; many sites are managed by your local authority.

Contact the units manufacturer, importer or their agent; the contact details will be on the unit.

There will probably be a charge for this service which will depend on the physical size and location of the unit. You will be given a collection price for a curb side collection based on commercial rates prevailing at the time.

It should be noted that the unit to be collected should be suitably packed and sealed to prevent dangerous gases and fluids from escaping. The condition of the unit must also be clean to comply with health and safety regulations.